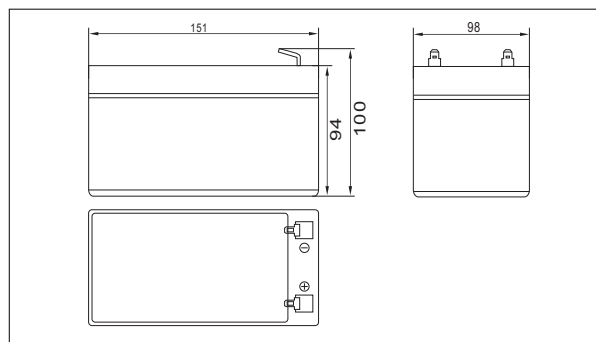


NP12-10(12V10AH)



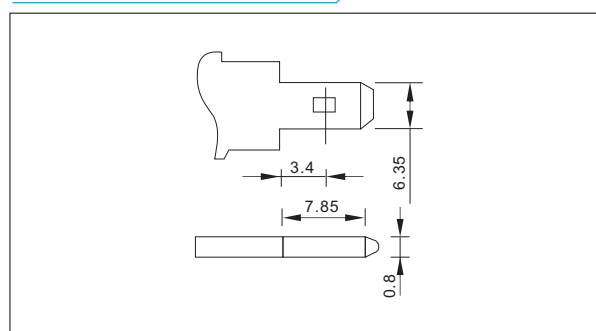
Outer dimensions (mm)



Specifications

Nominal Voltage		12V
Rated capacity (20 hour rate)		10Ah
Dimensions	Total Height	100 mm (3.94 inches)
	Height	94 mm (3.70 inches)
	Length	151 mm (5.94 inches)
	Width	98 mm (3.86 inches)
Weight Approx		3.10Kg (6.82lbs)

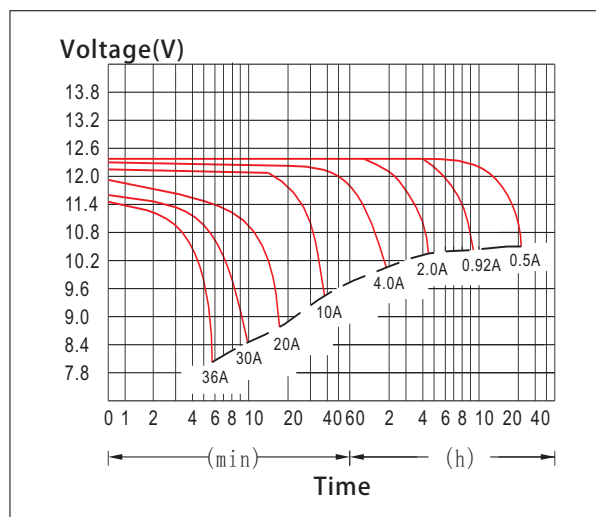
Terminal Type (mm)



Characteristics

Capacity 25°C(77°F)	20 hour rate(0.50A)	10.0 AH
	10 hour rate(0.92A)	9.20 AH
	5 hour rate(1.70A)	8.50 AH
	1 hour rate(6.0A)	6.00 AH
1.5 hour discharge to 10.5V		4.00A
Internal Resistance	Full charged Battery at 25°C(77°F)	22mΩ
Capacity affected by Temperature (20hour rate)	40°C(104°F)	102%
	25°C(77°F)	100%
	0°C(32°F)	85%
Self-Discharge at 25°C(77°F)	Capacity after 3 month storage	91%
	Capacity after 6 month storage	82%
	Capacity after 12 month storage	64%
Terminal		T2
Charge (constant Voltage)	Cycle	Initial Charging Current less than 4.00A Voltage 14.40-15.00V Time 14~16h
	Float	Voltage 13.50-13.80V

Discharge Curves 25°C(77°F)



Constant Current(Amp) and Constant Power(Watt) Discharge Table at 25°C(77°F)

Time	5min	10min	15min	30min	1h	2h	3h	4h	5h	8h	10h	20h
9.60V	A	36.0	23.6	17.5	11.5	6.00	3.50	2.58	2.07	1.75	1.16	0.52
	W	374	253	188	124	64.8	38.4	28.7	23.3	19.9	13.3	6.01
10.20V	A	33.0	22.6	16.1	10.9	5.63	3.36	2.50	2.00	1.72	1.14	0.93
	W	354	252	180	123	63.7	38.7	29.0	23.3	20.1	13.3	10.9
10.50V	A	30.0	21.1	15.0	10.6	5.45	3.29	2.46	1.90	1.70	1.13	0.92
	W	330	240	171	122	63.1	38.2	28.6	22.2	19.9	13.2	10.9
10.80V	A	28.9	20.2	14.0	10.3	5.27	3.21	2.42	1.87	1.63	1.10	0.90
	W	324	233	161	119	61.3	37.6	28.5	22.0	19.2	13.0	10.6
11.10V	A	26.7	19.0	13.0	10.0	5.08	3.13	2.29	1.83	1.55	1.07	0.88
	W	303	220	151	117	59.8	36.9	27.2	21.8	18.5	12.8	10.6

NOTE: FOR REFERENCE ONLY