

NP12-38(12V38AH)



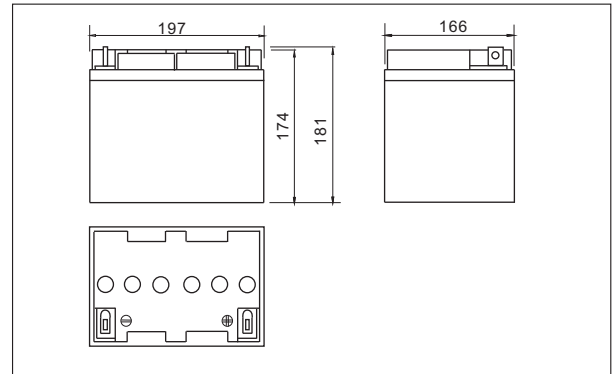
Specifications

Nominal Voltage		12V
Rated capacity (10 hour rate)		38 Ah
Dimensions	Total Height	181mm (7.13 inches)
	Height	174mm (6.85 inches)
	Length	197 mm (7.73 inches)
	Width	166mm (6.54 inches)
Weight Approx		12.2Kg (26.84lbs)

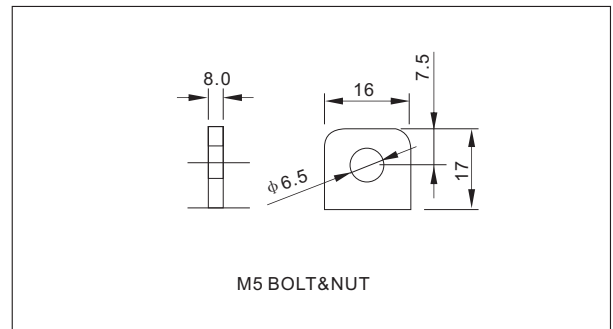
Characteristics

Capacity 25°C(77°F)	10 hour rate(3.8A)	38.0 AH
	5 hour rate(6.2 A)	31.0AH
	1 hour rate(22.8 A)	22.8 AH
	1.5 hour discharge to 10.5V	15.2 A
Internal Resistance	Full charged Battery at 25°C(77°F)	8 m Ω
Capacity affected by Temperature (10hour rate)	40°C(104°F)	102%
	25°C(77°F)	100%
	0°C(32°F)	85%
	-15°C(5°F)	65%
Self-Discharge at 25°C(77°F)	Capacity after 3 month storage	91%
	Capacity after 6 month storage	82%
	Capacity after 12 month storage	64%
Terminal		T12
Charge (constant Voltage)	Cycle	Initial Charging Current less than 15.2A Voltage 14.40-14.80V(Time 14~16h)
	Float	Voltage 13.50-13.80V

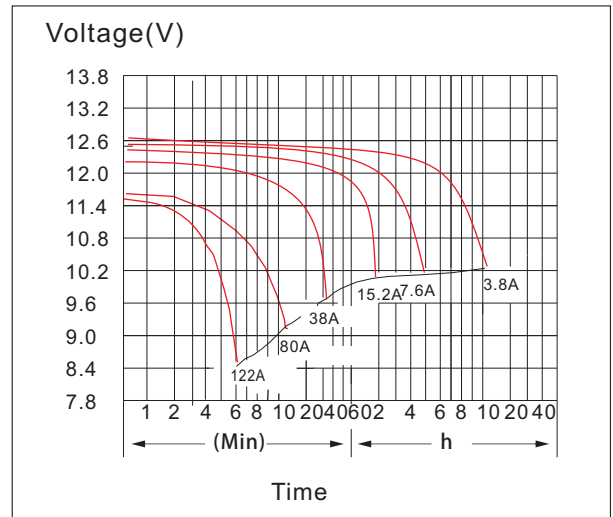
Outer dimensions (mm)



Terminal Type (mm)



Discharge Curves 25°C(77°F)



Constant Current(Amp) and Constant Power(Watt) Discharge Table at 25°C(77°F)

Time		5min	10min	15min	30min	1h	2h	3h	4h	5h	8h	10h	20h
9.60V	A	122	80	65	43.3	22.8	13.3	9.8	7.6	6.3	4.45	3.99	2.15
	W	1256	856	693	466	246	146	109	86	71	51	46	25.1
10.20V	A	118	72	61	41.4	21.4	12.7	9.5	7.4	6.2	4.33	3.91	2.09
	W	1259	808	681	465	242	146	110	86	72	51	46	24.5
10.50V	A	114	65	53	38.8	20.7	12.4	9.3	7.3	6.1	4.29	3.84	2.09
	W	1245	736	608	446	240	144	108	85	71	50	45	24.7
10.80V	A	110	61	49	35.7	20.1	12.1	9.0	7.2	5.9	4.18	3.80	2.05
	W	1233	703	570	414	234	142	107	85	70	50	45	24.4
11.10V	A	106	57	46	31.9	19.4	11.8	8.7	7.0	5.8	4.07	3.61	1.94
	W	1204	662	532	373	228	139	104	83	69	49	43.6	23.5

NOTE: FOR REFERENCE ONLY