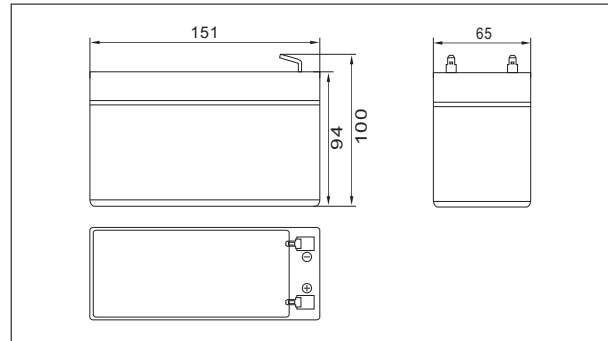


NP12-8 (12V8 0AH)



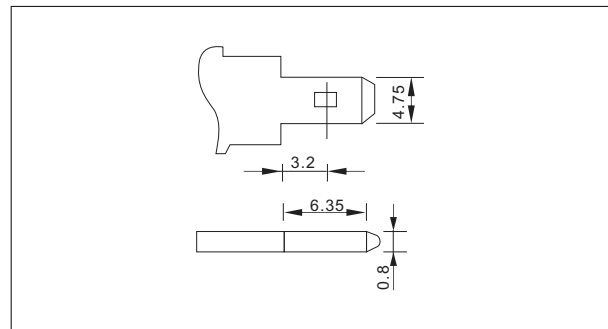
Outer dimensions (mm)



Specifications

Nominal Voltage		12V
Rated capacity (20 hour rate)		8.0 Ah
Dimensions	Total Height	100mm (3.94 inches)
	Height	94mm (3.70 inches)
	Length	151mm (5.94 inches)
	Width	65mm (2.56 inches)
Weight Approx		2.35Kg (5.17lbs)

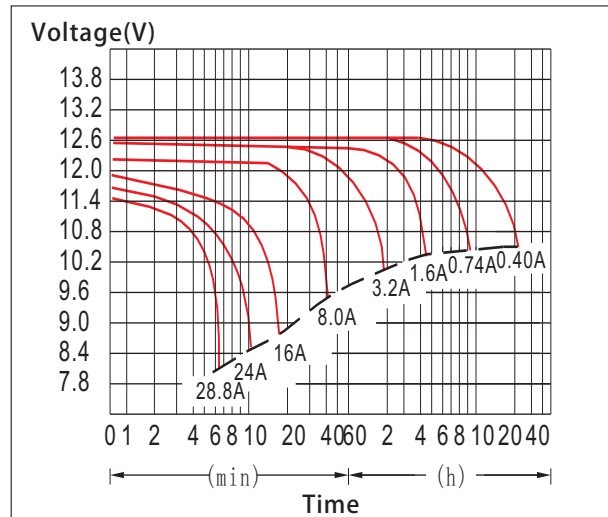
Terminal Type (mm)



Characteristics

Capacity 25°C(77°F)	20 hour rate(0.40A)	8.00AH
	10 hour rate(0.74A)	7.40AH
	5 hour rate(1.36A)	6.80AH
	1 hour rate(4.80A)	4.80AH
	1.5 hour discharge to 10.5V	3.2A
Internal Resistance	Full charged Battery at 25°C(77°F)	21mΩ
Capacity affected by Temperature (20hour rate)	40°C(104°F)	102%
	25°C(77°F)	100%
	0°C(32°F)	85%
	-15°C(5°F)	65%
Self-Discharge at 25°C(77°F)	Capacity after 3 month storage	91%
	Capacity after 6 month storage	82%
	Capacity after 12 month storage	64%
Terminal		T1
Charge (constant Voltage)	Cycle	Initial Charging Current less than 3.20A Voltage 14.40-15.00V Time 14~16h
	Float	Voltage 13.50-13.80V

Discharge Curves 25°C(77°F)



Constant Current(Amp) and Constant Power(Watt) Discharge Table at 25°C(77°F)

Time	5min	10min	15min	30min	1h	2h	3h	4h	5h	8h	10h	20h	
9.60V	A	28.8	18.9	14.0	9.20	4.80	2.80	2.06	1.65	1.40	0.93	0.76	0.41
	W	299	203	150	98.9	51.8	30.7	22.9	18.6	16.0	10.6	8.74	4.81
10.20V	A	26.4	18.1	12.9	8.73	4.51	2.69	2.00	1.60	1.38	0.91	0.74	0.40
	W	284	202	144	98.0	51.0	31.0	23.2	18.6	16.0	10.6	8.73	4.73
10.50V	A	24.0	16.9	12.0	8.47	4.36	2.63	1.97	1.52	1.36	0.90	0.74	0.40
	W	264	192	137	97.4	50.5	30.5	22.9	17.8	15.9	10.58	8.71	4.73
10.80V	A	23.1	16.1	11.2	8.23	4.21	2.57	1.93	1.49	1.30	0.88	0.72	0.39
	W	259	186	129	95.4	49.0	30.1	22.8	17.6	15.4	10.39	8.52	4.64
11.10V	A	21.4	15.2	10.4	8.00	4.07	2.50	1.83	1.47	1.24	0.85	0.70	0.38
	W	242	176	121	93.6	47.8	29.6	21.8	17.5	14.8	10.22	8.45	4.61

NOTE: FOR REFERENCE ONLY