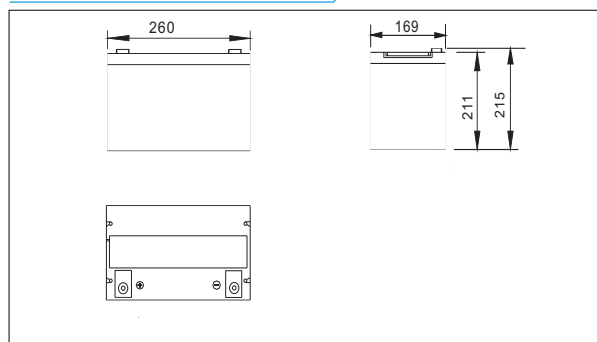


NP12-80(12V80AH)



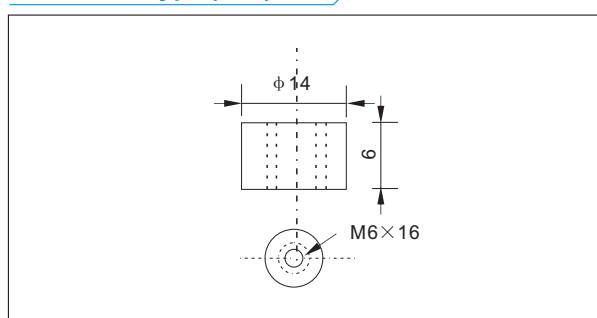
Outer dimensions (mm)



Specifications

| | | |
|-------------------------------|--------------|----------------------|
| Nominal Voltage | | 12V |
| Rated capacity (20 hour rate) | | 80Ah |
| Dimensions | Total Height | 215 mm (8.46 inches) |
| | Height | 211 mm (8.30 inches) |
| | Length | 260 mm (10.2 inches) |
| | Width | 169 mm (6.65 inches) |
| Weight Approx | | 23.4 Kg (51.5lbs) |

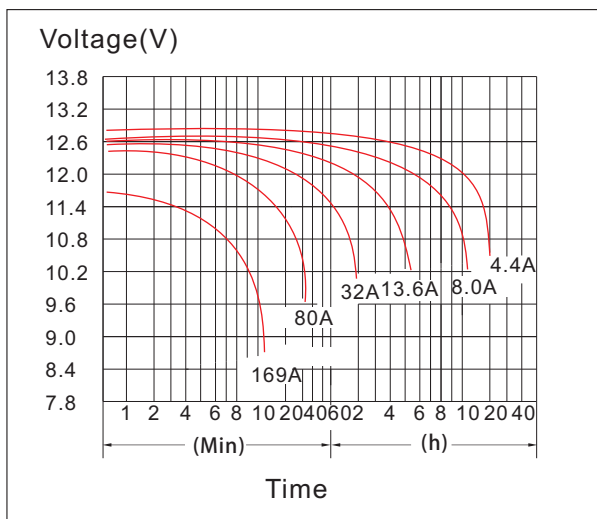
Terminal Type (mm)



Characteristics

| | | |
|--|------------------------------------|--|
| Capacity 25°C(77°F) | 10 hour rate(8.0A) | 80AH |
| | 5 hour rate(13.6A) | 68AH |
| | 1 hour rate(48 A) | 48AH |
| | 1.5 hour discharge to 10.5V | 32A |
| Internal Resistance | Full charged Battery at 25°C(77°F) | 6.5mΩ |
| Capacity affected by Temperature (10hour rate) | 40°C(104°F) | 102% |
| | 25°C(77°F) | 100% |
| | 0°C(32°F) | 85% |
| | -15°C(5°F) | 65% |
| Self-Discharge at 25°C(77°F) | Capacity after 3 month storage | 91% |
| | Capacity after 6 month storage | 82% |
| | Capacity after 12 month storage | 64% |
| Terminal | | T14 |
| Charge (constant Voltage) | Cycle | Initial Charging Current less than 32A Voltage 14.40-14.80V Time 14~16h |
| | Float | Voltage 13.50-13.80V |

Discharge Curves 25°C(77°F)



Constant Current(Amp) and Constant Power(Watt) Discharge Table at 25°C(77°F)

| Time | | 5min | 10min | 15min | 30min | 1h | 2h | 3h | 4h | 5h | 8h | 10h | 20h |
|--------|---|------|-------|-------|-------|------|------|------|------|------|------|------|------|
| 9.60V | A | 256 | 169 | 136 | 91.2 | 48.0 | 28.0 | 20.6 | 16.0 | 13.2 | 9.36 | 8.40 | 4.54 |
| | W | 2644 | 1803 | 1459 | 981 | 518 | 307 | 229 | 180 | 150 | 107 | 97 | 52.7 |
| 10.20V | A | 248 | 152 | 128 | 87.2 | 45.1 | 26.7 | 20.0 | 15.6 | 13.0 | 9.12 | 8.24 | 4.40 |
| | W | 2621 | 1701 | 1434 | 979 | 510 | 308 | 232 | 181 | 151 | 107 | 97 | 51.6 |
| 10.50V | A | 217 | 136 | 112 | 81.6 | 43.7 | 26.1 | 19.5 | 15.4 | 12.8 | 9.04 | 8.08 | 4.40 |
| | W | 2374 | 1550 | 1279 | 939 | 506 | 302 | 227 | 180 | 150 | 106 | 96 | 52.0 |
| 10.80V | A | 196 | 128 | 104 | 75.2 | 42.2 | 25.4 | 19.0 | 15.1 | 12.5 | 8.80 | 8.00 | 4.32 |
| | W | 2204 | 1481 | 1200 | 871 | 492 | 298 | 224 | 179 | 148 | 104 | 95 | 51.5 |
| 11.10V | A | 141 | 120 | 96 | 67.2 | 40.8 | 24.8 | 18.4 | 14.7 | 12.2 | 8.56 | 7.60 | 4.08 |
| | W | 1600 | 1393 | 1119 | 786 | 480 | 293 | 219 | 175 | 145 | 103 | 91.7 | 49.4 |