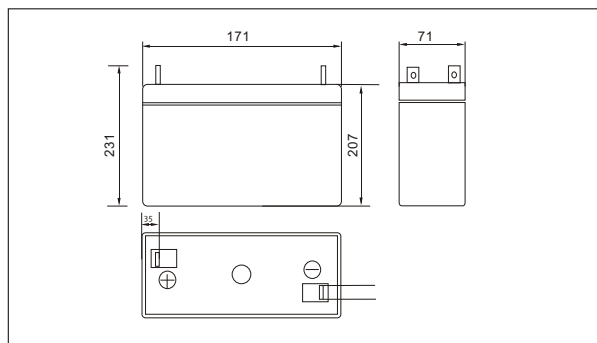


# NP2-100(2V100AH)



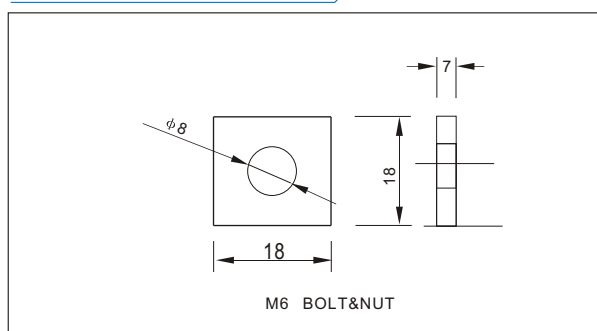
## Outer dimensions (mm)



## Specifications

Nominal Voltage	2 V	
Rated capacity (10 hour rate)	100 Ah	
Dimensions	Total Height	227 mm (8.94 inches)
	Height	207 mm (8.15 inches)
	Length	171 mm (6.73 inches)
	Width	71 mm (2.80 inches)
Weight Approx	5.6Kg (12.32lbs)	

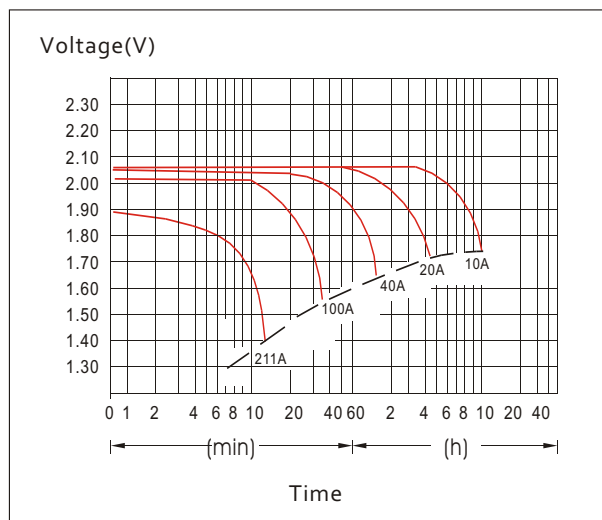
## Terminal Type (mm)



## Characteristics

Capacity 25°C(77°F)	10 hour rate(10A)	100 AH
	5 hour rate(16A)	80 AH
	1 hour rate(60A)	60 AH
	1.5 hour discharge to 1.75 V	40 A
Internal Resistance	Full charged Battery at 25°C(77°F)	1.0m Ω
Capacity affected by Temperature (10hour rate)	40°C(104°F)	102%
	25°C(77°F)	100%
	0°C(32°F)	85%
	-15°C(5°F)	65%
Self-Discharge at 25°C(77°F)	Capacity after 3 month storage	91%
	Capacity after 6 month storage	82%
	Capacity after 12 month storage	64%
Terminal	T6	
Charge (constant Voltage)	Cycle	Initial Charging Current less than 40 A Voltage 2.35-2.40V
	Float	Voltage 2.25-2.30V

## Discharge Curves 25°C(77°F)



Time	5min	10min	15min	30min	1h	2h	3h	4h	5h	8h	10h	20h	
1.60V	A	320	211	170	114	60	35.0	25.7	20.0	16.5	11.7	10.5	6
	W	551	376	304	204	108	64	47.7	37.5	31.3	22.3	20.2	11
1.70V	A	310	190	160	109	56	33.4	25.0	19.5	16.2	11.4	10.3	5.5
	W	552	354	299	204	106	64	48.3	37.8	31.5	22.2	20.2	10.8
1.75V	A	300	170	140	102	55	32.6	24.4	19.2	16.0	11.3	10.1	5.5
	W	546	323	266	196	105	63	47.4	37.4	31.3	22.1	19.9	10.8
1.80V	A	289	161	130	94	53	31.8	23.8	18.9	15.6	11.0	10.0	5.4
	W	541	308	250	182	102	62	46.8	37.2	30.7	21.7	19.8	10.7
1.85V	A	280	150	120	84	51	31.0	23.0	18.4	15.2	10.7	9.5	5.1
	W	528	290	233	164	100	61	45.5	36.5	30.2	21.4	19.1	10.3

NOTE: FOR REFERENCE ONLY