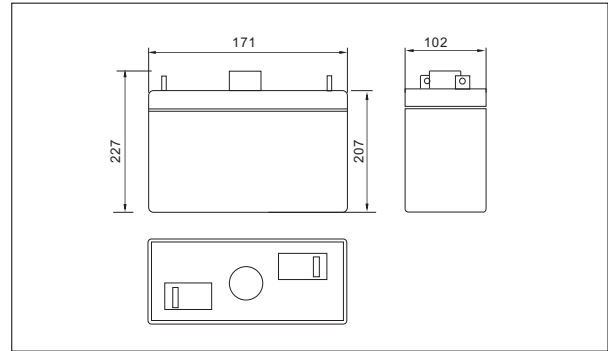


NP2-150(2V150AH)

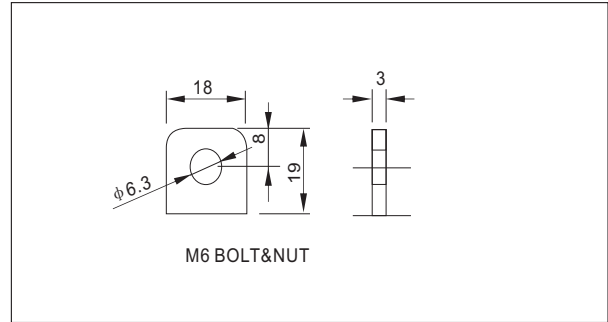
● Outer dimensions (mm)



● Specifications

| | | |
|-------------------------------|--------------|--------------------|
| Nominal Voltage | | 2 V |
| Rated capacity (10 hour rate) | | 150 Ah |
| Dimensions | Total Height | 227mm (8.94inches) |
| | Height | 207mm (8.15inches) |
| | Length | 172mm (6.77inches) |
| | Width | 102mm (4.02inches) |
| Weight Approx | | 8.0Kg(17.6lbs) |

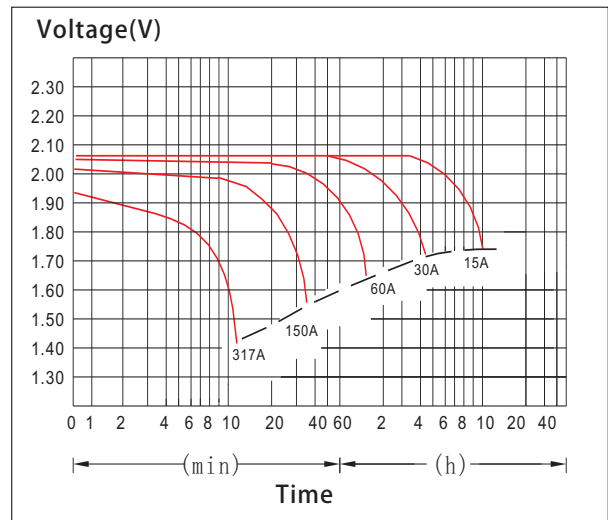
● Terminal Type (mm)



● Characteristics

| | | |
|--|---------------------------------------|--|
| Capacity 25°C(77°F) | 10 hour rate(15 A) | 150AH |
| | 5 hour rate(24A) 1 hour rate(90 A) | 120AH 90AH |
| 1.5 hour discharge to 1.75 V | | 60 A |
| Internal Resistance | Full charged Battery at 25°C(77°F) | 0.8m Ω |
| Capacity affected by Temperature (10hour rate) | 40°C(104°F) | 102% |
| | 25°C(77°F) | 100% |
| | 0°C(32°F) | 85% |
| | -15°C(5°F) | 65% |
| Self-Discharge at 25°C(77°F) | Capacity after 3 month storage | 91% |
| | Capacity after 6 month storage | 82% |
| | Capacity after 12 month storage | 64% |
| Terminal | | T6 |
| Charge (constant Voltage) | Cycle | Initial Charging Current less than 60A Voltage 2.35-2.40V |
| | Float | Voltage 2.25-2.30V |

● Discharge Curves 25°C(77°F)



Constant Current(Amp) and Constant Power(Watt) Discharge Table at 25°C(77°F)

| Time | | 5min | 10min | 15min | 30min | 1h | 2h | 3h | 4h | 5h | 8h | 10h | 20h |
|-------|---|------|-------|-------|-------|------|------|------|------|------|------|------|------|
| 1.60V | A | 480 | 317 | 255 | 171 | 90.0 | 52.5 | 38.6 | 30.0 | 24.8 | 17.6 | 15.8 | 8.51 |
| | W | 826 | 563 | 456 | 306 | 162 | 96.1 | 71.5 | 56.3 | 46.9 | 33.5 | 30.3 | 16.5 |
| 1.70V | A | 465 | 286 | 240 | 164 | 84.6 | 50.1 | 37.5 | 29.3 | 24.3 | 17.1 | 15.5 | 8.25 |
| | W | 828 | 532 | 448 | 306 | 159 | 96.2 | 72.4 | 56.7 | 47.2 | 33.3 | 30.3 | 16.1 |
| 1.75V | A | 450 | 255 | 210 | 153 | 81.9 | 48.9 | 36.6 | 28.8 | 24.0 | 17.0 | 15.2 | 8.25 |
| | W | 819 | 484 | 400 | 293 | 158 | 94.5 | 71.1 | 56.2 | 46.9 | 33.2 | 29.9 | 16.3 |
| 1.80V | A | 434 | 241 | 195 | 141 | 79.2 | 47.7 | 35.7 | 28.4 | 23.4 | 16.5 | 15.0 | 8.10 |
| | W | 811 | 463 | 375 | 272 | 154 | 93.1 | 70.2 | 55.8 | 46.1 | 32.6 | 29.7 | 16.1 |
| 1.85V | A | 419 | 226 | 180 | 126 | 76.5 | 46.5 | 34.5 | 27.6 | 22.8 | 16.1 | 14.3 | 7.65 |
| | W | 792 | 435 | 350 | 246 | 150 | 91.6 | 68.3 | 54.8 | 45.3 | 32.0 | 28.7 | 15.5 |

NOTE: FOR REFERENCE ONLY