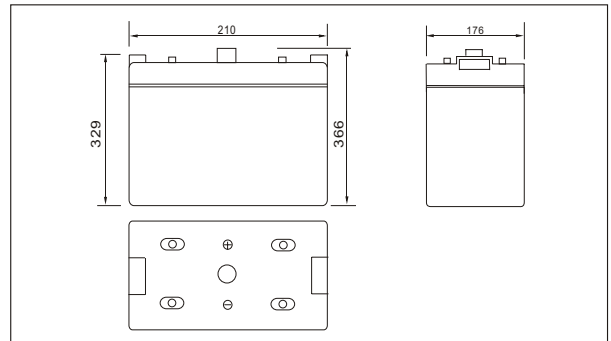


NP2-400(2V400AH)



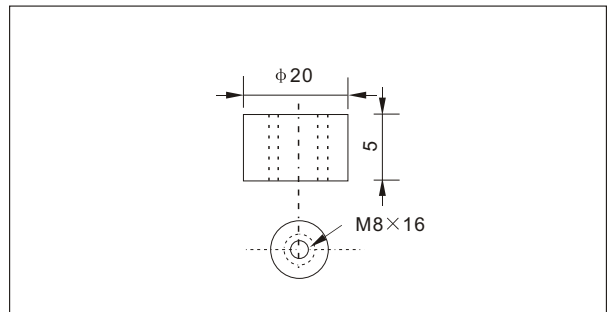
Outer dimensions (mm)



Specifications

Nominal Voltage		2 V
Rated capacity (10 hour rate)		400 Ah
Dimensions	Total Height	366mm (14.4inches)
	Height	329mm (13.0inches)
	Length	210mm (8.27inches)
	Width	176mm (6.93inches)
Weight Approx		26.7Kg (58.7lbs)

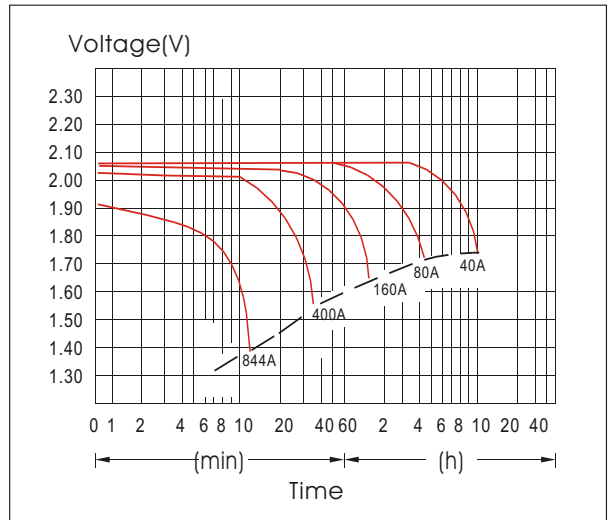
Terminal Type (mm)



Characteristics

Capacity 25°C(77°F)	10 hour rate(40A)	400 AH
	5 hour rate(64A)	320 AH
	1 hour rate(240A)	240 AH
	1.5 hour discharge to 1.75 V	160 A
Internal Resistance	Full charged Battery at 25°C(77°F)	0.5mΩ
Capacity affected by Temperature (10hour rate)	40°C(104°F)	102%
	25°C(77°F)	100%
	0°C(32°F)	85%
	-15°C(5°F)	65%
Self-Discharge at 25°C(77°F)	Capacity after 3 month storage	91%
	Capacity after 6 month storage	82%
	Capacity after 12 month storage	64%
Terminal		T20
Charge (constant Voltage)	Cycle	Initial Charging Current less than 160 A Voltage 2.35-2.40V
	Float	Voltage 2.25-2.30V

Discharge Curves 25°C(77°F)



Time	5min	10min	15min	30min	1h	2h	3h	4h	5h	8h	10h	20h
1.60V	A	1281	844	680	456	240	140.0	102.8	80.0	66.0	46.8	23
	W	2204	1502	1216	817	432	256	190.7	150.0	125.1	89.4	44
1.70V	A	1241	762	641	436	226	133.6	100.0	78.0	64.8	45.6	22.0
	W	2209	1417	1195	816	425	257	193.0	151.2	125.9	88.9	43.0
1.75V	A	1200	681	560	408	218	130.4	97.6	76.8	64.0	45.2	22.0
	W	2185	1292	1066	783	422	252	189.5	149.8	125.1	88.6	43.3
1.80V	A	1157	642	521	376	211	127.2	95.2	75.6	62.4	44.0	21.6
	W	2163	1234	1000	726	410	248	187.1	148.8	122.9	86.9	42.9
1.85V	A	1118	602	481	336	204	124.0	92.0	73.6	60.8	42.8	20.4
	W	2113	1161	933	655	400	244	182.2	146.1	120.9	85.4	41.2

NOTE: FOR REFERENCE ONLY