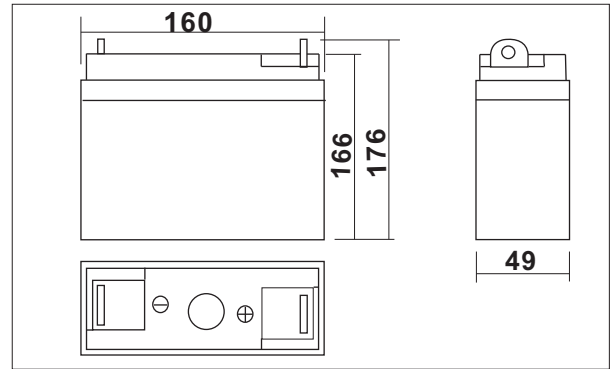


NP2-50(2V50AH)

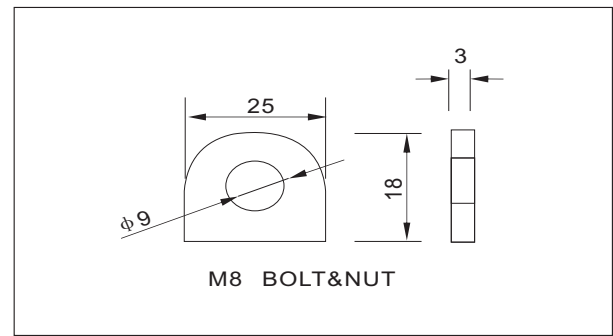
Outer dimensions (mm)



Specifications

Nominal Voltage		2 V
Rated capacity (10 hour rate)		50 Ah
Dimensions	Total Height	176 mm (6.93 inches)
	Height	166 mm (6.54 inches)
	Length	160 mm (6.30 inches)
	Width	49 mm (1.93 inches)
Weight Approx		2.9Kg (6.38lbs)

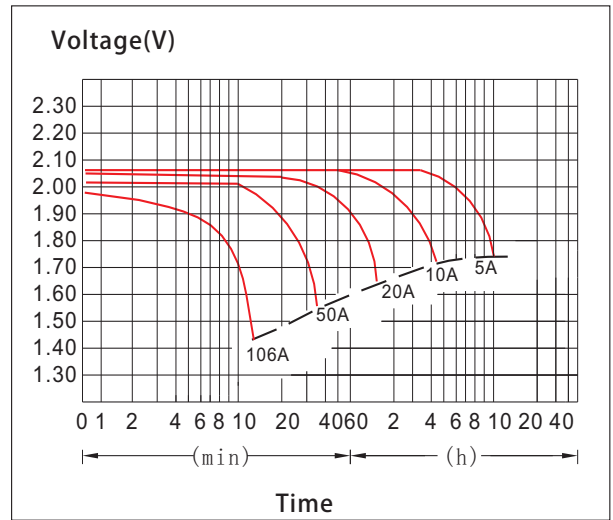
Terminal Type (mm)



Characteristics

Capacity 25°C(77°F)	10 hour rate(5A)	50 AH
	5 hour rate(8 A)	40 AH
	1 hour rate(30 A)	30 AH
	1.5 hour discharge to 1.75 V	20 A
Internal Resistance	Full charged Battery at 25°C(77°F)	2.0 mΩ
Capacity affected by Temperature (10hour rate)	40°C(104°F)	102%
	25°C(77°F)	100%
	0°C(32°F)	85%
	-15°C(5°F)	65%
Self-Discharge at 25°C(77°F)	Capacity after 3 month storage	91%
	Capacity after 6 month storage	82%
	Capacity after 12 month storage	64%
Terminal		T12
Charge (constant Voltage)	Cycle	Initial Charging Current less than 20 A Voltage 2.35-2.40V
	Float	Voltage 2.25-2.30V

Discharge Curves 25°C(77°F)



Time	5min	10min	15min	30min	1h	2h	3h	4h	5h	8h	10h	20h
1.60V	A	160	106	85.1	57.0	30.0	17.5	12.9	10.0	8.25	5.85	2.84
	W	275	188	152	102	54.0	32.0	23.8	18.8	15.6	11.2	5.49
1.70V	A	155	95.2	80.1	54.5	28.2	16.7	12.5	9.75	8.10	5.70	2.75
	W	276	177	149	102	53.2	32.1	24.1	18.9	15.7	11.1	5.38
1.75V	A	150	85.2	70.1	51.0	27.3	16.3	12.2	9.60	8.00	5.65	2.75
	W	273	161	133	97.8	52.7	31.5	23.7	18.7	15.6	11.1	5.42
1.80V	A	145	80.3	65.1	47.0	26.4	15.9	11.9	9.45	7.80	5.50	2.70
	W	270	154	125	90.8	51.2	31.0	23.4	18.6	15.4	10.9	5.36
1.85V	A	140	75.2	60.1	42.0	25.5	15.5	11.5	9.20	7.60	5.35	2.55
	W	264	145	117	81.9	50.0	30.5	22.8	18.3	15.1	10.7	5.15

NOTE: FOR REFERENCE ONLY