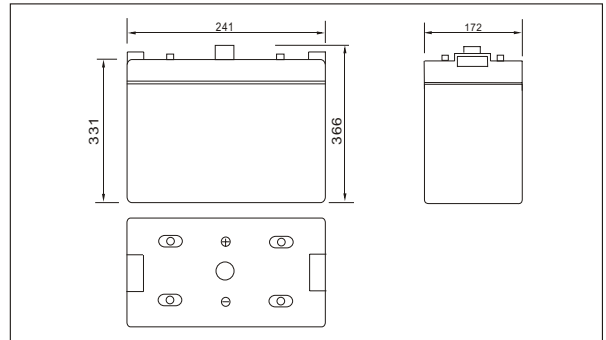


# NP2-500(2V500AH)



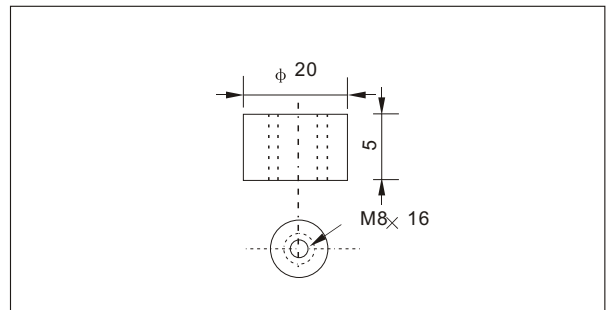
## Outer dimensions (mm)



## Specifications

Nominal Voltage		2 V
Rated capacity (10 hour rate)		500 Ah
Dimensions	Total Height	366mm (14.4inches)
	Height	331mm (13.0inches)
	Length	241mm (9.5inches)
	Width	172mm (6.8inches)
Weight Approx		31Kg (68.2lbs)

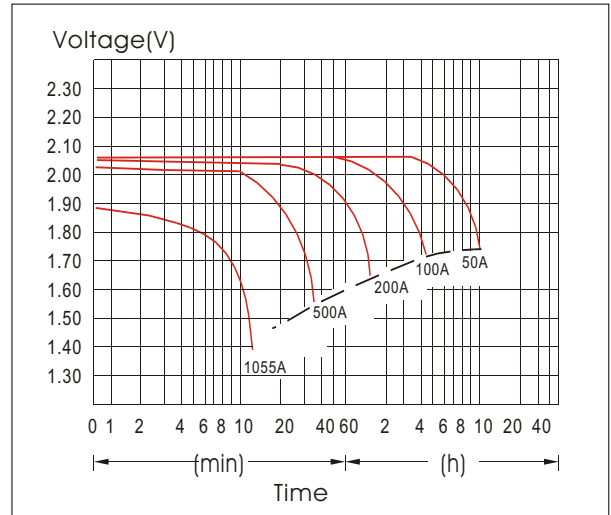
## Terminal Type (mm)



## Characteristics

Capacity 25°C(77°F)	10 hour rate(50A)	500 AH
	5 hour rate(80A)	400 AH
	1 hour rate(300A)	300 AH
	1.5 hour discharge to 1.75 V	200 A
Internal Resistance	Full charged Battery at 25°C(77°F)	0.6mΩ
Capacity affected by Temperature (10hour rate)	40°C(104°F)	102%
	25°C(77°F)	100%
	0°C(32°F)	85%
	-15°C(5°F)	65%
Self-Discharge at 25°C(77°F)	Capacity after 3 month storage	91%
	Capacity after 6 month storage	82%
	Capacity after 12 month storage	64%
Terminal		T20
Charge (constant Voltage)	Cycle	Initial Charging Current less than 125 A Voltage 2.35-2.40V
	Float	Voltage 2.25-2.30V

## Discharge Curves 25°C(77°F)



Time	5min	10min	15min	30min	1h	2h	3h	4h	5h	8h	10h	20h
1.60V	A	1602	1055	851	570	300	175.0	128.5	100.0	82.5	58.5	28
	W	2755	1878	1520	1021	540	320	238.4	187.5	156.3	111.7	55
1.70V	A	1551	952	801	545	282	167.0	125.0	97.5	81.0	57.0	27.5
	W	2761	1772	1494	1020	532	321	241.3	189.0	157.4	111.2	53.8
1.75V	A	1501	852	701	510	273	163.0	122.0	96.0	80.0	56.5	27.5
	W	2731	1614	1332	978	527	315	236.9	187.2	156.3	110.7	54.2
1.80V	A	1446	803	651	470	264	159.0	119.0	94.5	78.0	55.0	27.0
	W	2704	1542	1250	908	512	310	233.8	186.0	153.7	108.6	53.6
1.85V	A	1398	752	601	420	255	155.0	115.0	92.0	76.0	53.5	25.5
	W	2641	1451	1166	819	500	305	227.7	182.6	151.2	106.8	51.5

NOTE: FOR REFERENCE ONLY