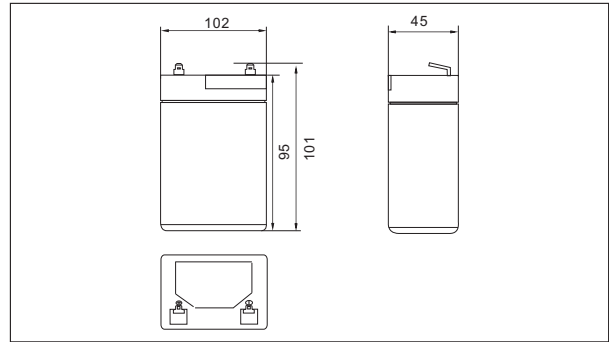


# NP4-9(4V9.0AH)



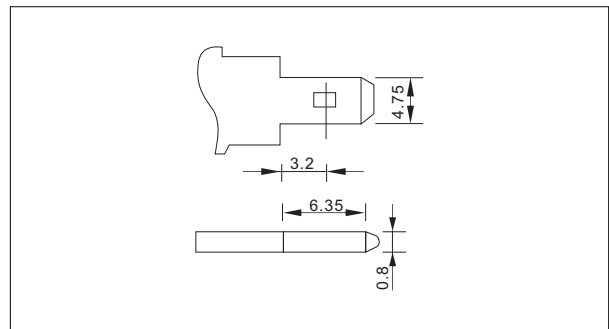
## Outer dimensions (mm)



## Specifications

Nominal Voltage		4 V
Rated capacity (20 hour rate)		9.0 Ah
Dimensions	Total Height	101 mm(3.98inches)
	Height	95 mm(3.74inches)
	Length	102 mm(4.02inches)
	Width	45 mm(1.73inches)
Weight Approx		0.95Kg(2.09lbs)

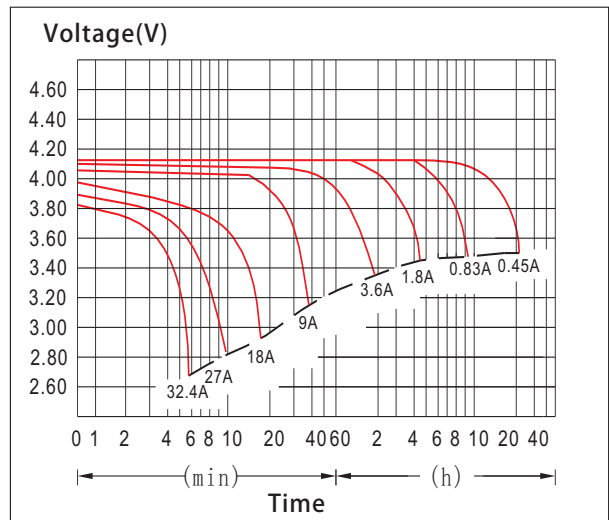
## Terminal Type (mm)



## Characteristics

Capacity 25°C(77°F)	20 hour rate(0.45A)	9.00 AH
	10 hour rate(0.83A)	8.30 AH
	5 hour rate(1.54A)	7.70 AH
	1 hour rate(5.40A)	5.40 AH
	1.5 hour discharge to 3.50 V	3.6A
Internal Resistance	Full charged Battery at 25°C(77°F)	10m Ω
Capacity affected by Temperature (20hour rate)	40°C(104°F)	102%
	25°C(77°F)	100%
	0°C(32°F)	85%
	-15°C(5°F)	65%
Self-Discharge at 25°C(77°F)	Capacity after 3 month storage	91%
	Capacity after 6 month storage	82%
	Capacity after 12 month storage	64%
Terminal		T1
Charge (constant Voltage)	Cycle	Initial Charging Current less than 3.6A Voltage 4.80-5.00 V(Time14~16h)
	Float	Voltage 4.50-4.60 V

## Discharge Curves 25°C(77°F)



Constant Current(Amp) and Constant Power(Watt) Discharge Table at 25°C(77°F)

Time	5min	10min	15min	30min	1h	2h	3h	4h	5h	8h	10h	20h
3.20V	A	32.4	21.2	15.8	10.4	5.40	3.15	2.32	1.86	1.58	1.04	0.47
	W	112	76.0	56.3	37.1	19.4	11.5	8.60	6.98	5.98	3.98	1.80
3.40V	A	29.7	20.3	14.5	9.83	5.07	3.02	2.25	1.80	1.55	1.02	0.45
	W	106	75.7	54.0	36.8	19.1	11.6	8.69	6.98	6.02	3.99	1.77
3.50V	A	27.0	19.0	13.5	9.52	4.91	2.96	2.21	1.71	1.54	1.01	0.45
	W	99.0	72.0	51.4	36.5	18.9	11.5	8.59	6.67	6.02	3.97	1.77
3.60V	A	26.0	18.2	12.6	9.26	4.74	2.89	2.18	1.68	1.46	0.99	0.44
	W	97.2	69.8	48.4	35.8	18.39	11.3	8.55	6.61	5.76	3.90	1.74
3.70V	A	24.0	17.1	11.7	9.00	4.57	2.81	2.06	1.65	1.40	0.96	0.43
	W	90.8	66.0	45.4	35.1	17.9	11.1	8.17	6.55	5.56	3.83	1.73

NOTE: FOR REFERENCE ONLY