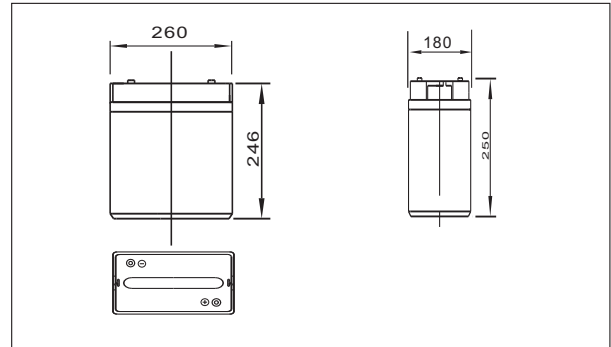


NP6-180(6V180AH)



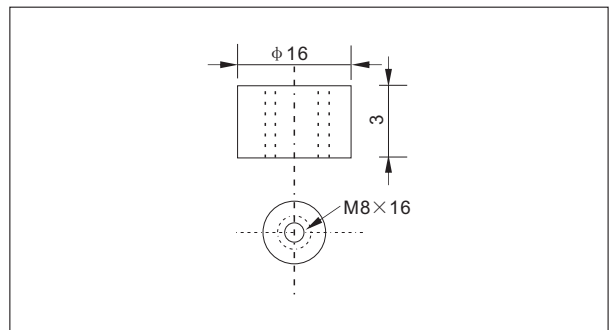
Outer dimensions (mm)



Specifications

Nominal Voltage		6 V
Rated capacity (10 hour rate)		180 Ah
Dimensions	Total Height	250mm (9.84inches)
	Height	246mm (9.69inches)
	Length	260mm (10.2inches)
	Width	180mm (7.09inches)
Weight Approx		29Kg (63.9lbs)

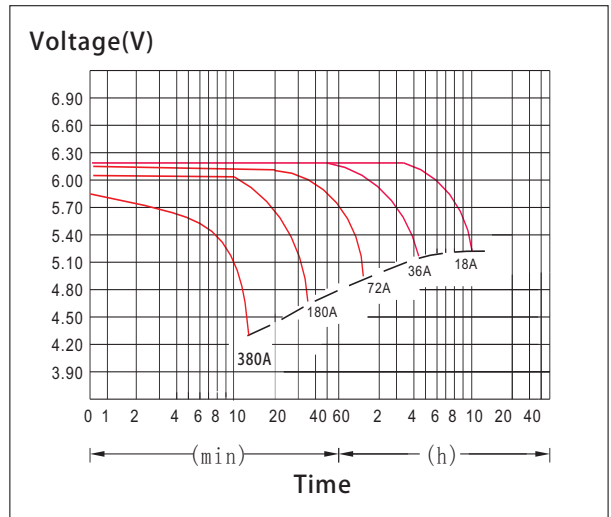
Terminal Type (mm)



Characteristics

Capacity 25°C(77°F)	10 hour rate(18 A)	180 AH
	5 hour rate(28.8 A)	144 AH
	1 hour rate(108 A)	108 AH
	1.5 hour discharge to 5.25 V	72 A
Internal Resistance	Full charged Battery at 25°C(77°F)	1.5 mΩ
Capacity affected by Temperature (10hour rate)	40°C(104°F)	102%
	25°C(77°F)	100%
	0°C(32°F)	85%
	-15°C(5°F)	65%
Self-Discharge at 25°C(77°F)	Capacity after 3 month storage	91%
	Capacity after 6 month storage	82%
	Capacity after 12 month storage	64%
Terminal	T19	
Charge (constant Voltage)	Cycle	Initial Charging Current less than 45 A Voltage 7.20-7.40V Time 14~16h
	Float	Voltage 6.75-6.90V

Discharge Curves 25°C(77°F)



Constant Current(Amp) and Constant Power(Watt) Discharge Table at 25°C(77°F)

Time		5min	10min	15min	30min	1h	2h	3h	4h	5h	8h	10h	20h
4.80V	A	577	380	306	205	108	63.0	46.3	36.0	29.7	21.1	18.9	10.2
	W	2975	2028	1641	1103	583	346	257	203	169	121	109	59.3
5.10V	A	558	343	288	196	102	60.1	45.0	35.1	29.2	20.5	18.5	9.90
	W	2948	1913	1613	1101	574	346	261	204	170	120	109	58.1
5.25V	A	489	307	252	184	98	58.7	43.9	34.6	28.8	20.3	18.2	9.90
	W	2671	1744	1439	1056	569	340	256	202	169	120	108	58.5
5.40V	A	442	289	234	169	95	57.2	42.8	34.0	28.1	19.8	18.0	9.72
	W	2479	1666	1350	980	553	335	253	201	166	117	107	57.9
5.55V	A	318	271	216	151	92	55.8	41.4	33.1	27.4	19.3	17.1	9.18
	W	1800	1567	1259	885	540	330	246	197	163	115	103	55.6

NOTE:FOR REFERENCE ONLY