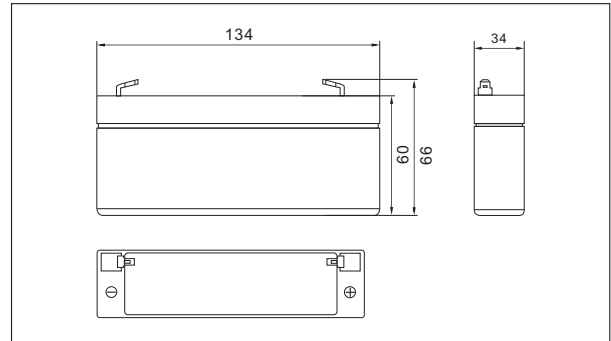


NP6-3.3(6V3.3AH)



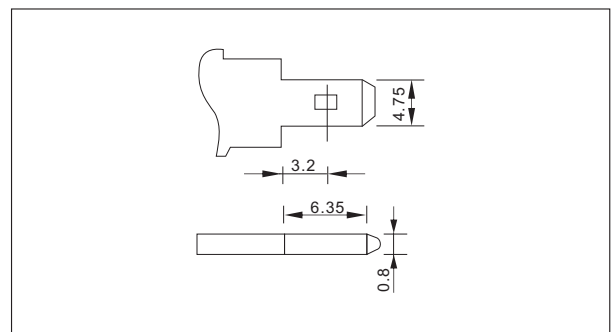
Outer dimensions (mm)



Specifications

Nominal Voltage		6 V
Rated capacity (20 hour rate)		3.3Ah
Dimensions	Total Height	66mm (2.60inches)
	Height	61mm(2.40inches)
	Length	134mm(5.28inches)
	Width	34mm(1.34inches)
Weight Approx		0.63Kg (1.39lbs)

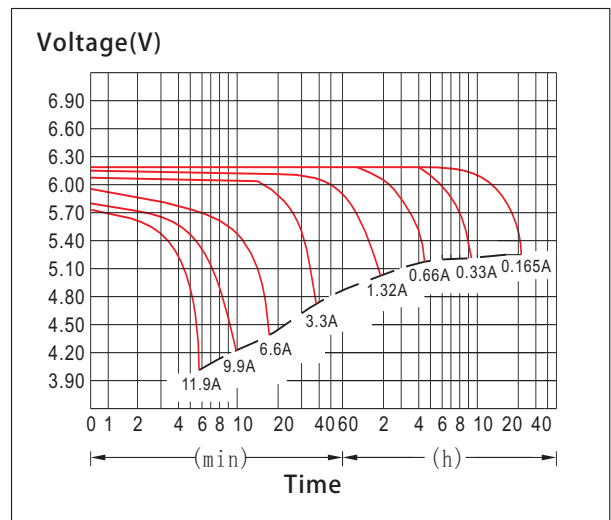
Terminal Type (mm)



Characteristics

Capacity 25°C(77°F)	20 hour rate(0.165A)	3.30 AH
	10 hour rate(0.30A)	3.00 AH
	5 hour rate(0.57A)	2.85 AH
	1 hour rate(1.98A)	1.98 AH
	1.5 hour discharge to 5.25 V	1.32 A
Internal Resistance	Full charged Battery at 25°C(77°F)	25 mΩ
Capacity affected by Temperature (20hour rate)	40°C(104°F)	102%
	25°C(77°F)	100%
	0°C(32°F)	85%
	-15°C(5°F)	65%
Self-Discharge at 25°C(77°F)	Capacity after 3 month storage	91%
	Capacity after 6 month storage	82%
	Capacity after 12 month storage	64%
Terminal	T0	
Charge (constant Voltage)	Cycle	Initial Charging Current less than 1.32A Voltage 7.20-7.50 V Time 14~16h
	Float	Voltage 6.75-6.90 V

Discharge Curves 25°C(77°F)



Constant Current(Amp) and Constant Power(Watt) Discharge Table at 25°C(77°F)

Time		5min	10min	15min	30min	1h	2h	3h	4h	5h	8h	10h	20h
4.80V	A	11.9	7.79	5.78	3.80	1.98	1.16	0.85	0.68	0.58	0.38	0.31	0.17
	W	61.7	41.8	31.0	20.4	10.7	6.34	4.73	3.84	3.29	2.19	1.80	0.99
5.10V	A	10.9	7.45	5.31	3.60	1.86	1.11	0.83	0.66	0.57	0.38	0.31	0.17
	W	58.5	41.7	29.7	20.2	10.5	6.39	4.78	3.84	3.31	2.20	1.80	0.98
5.25V	A	9.9	6.96	4.95	3.49	1.80	1.09	0.81	0.63	0.57	0.37	0.30	0.17
	W	54.4	39.6	28.2	20.1	10.4	6.30	4.73	3.67	3.31	2.18	1.80	0.98
5.40V	A	9.5	6.66	4.62	3.40	1.74	1.06	0.80	0.62	0.54	0.36	0.30	0.16
	W	53.4	38.4	26.6	19.7	10.12	6.20	4.70	3.64	3.17	2.14	1.76	0.96
5.55V	A	8.81	6.27	4.29	3.30	1.68	1.03	0.76	0.60	0.51	0.35	0.29	0.16
	W	50.0	36.3	25.0	19.3	9.86	6.09	4.49	3.60	3.06	2.11	1.74	0.95

NOTE: FOR REFERENCE ONLY